

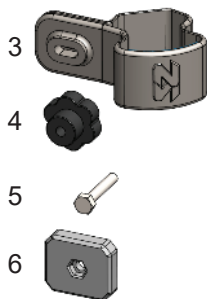
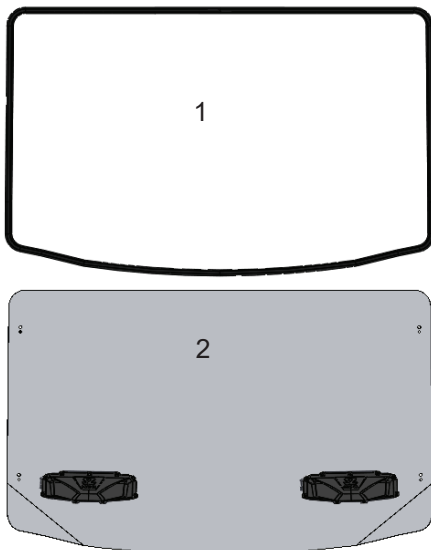


Installation & Operations Manual
Polaris Ranger FS/MS Profit
Full Vented Windshield

Part Numbers:
Full Size Polycarbonate #25023
Full Size Double Sided Hardcoated Polycarbonate #25024
Mid Size Polycarbonate #25025
Mid Size Double Sided Hardcoated Polycarbonate #25026



Kit Contents:



- 1. Bulb Gasket
- 2. Windshield With Vents
- 3. SZ Plastic Clamp (4)
- 4. Knob (4)
- 5. Bolt (4)
- 6. Backing Plate (4)

Installation Information:

This product does not require any modifications to your vehicle. Please familiarize yourself with all the steps before beginning assembly.

Compatibility Info:

This windshield is designed to work with other Seizmik branded Accessories for the Polaris Pro-Fit Ranger as well as OEM Polaris branded hard tops. Please note Seizmik cannot guarantee fitment with other branded aftermarket products. Please research installation details on our products and others when trying to combine different branded accessories.

Seizmik makes Windshields, Mirrors, Door Kits, Light Bars, Hood Racks, and other great accessories for UTV's to maximize the vehicles usefulness. To help you do what you do better.

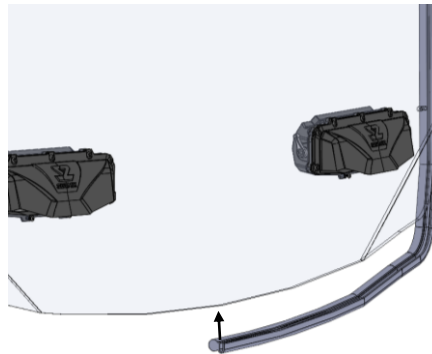
If you have any questions, comments, need assistance, or are missing parts, please call 1-866-838-3366 between 9:00AM and 5:00PM EST. Or email us at service@seizmik.com. Visit www.seizmik.com for more information on our products.

For item part numbers refer to the appendix at the back of these instructions.

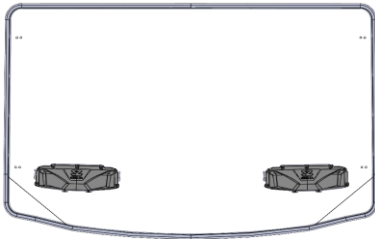
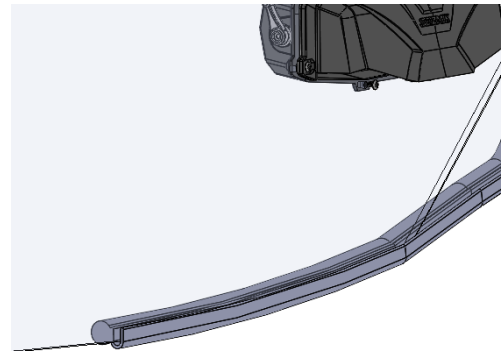
Installation:



1. Peel plastic 4" back on all sides of windshield. Remove completely after windshield is fully installed.



2. Push the gasket on the windshield starting from the middle of the bottom edge. The bulb should be on the inside of the windshield, the side of the windshield with the vent levers.



3. Your windshield should look like this when you are finished installing the gasket.



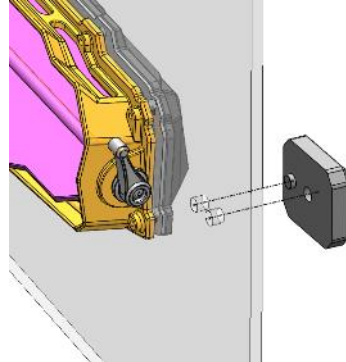
4. Open the clamp and place around roll cage with the SZ logo facing forward as shown.



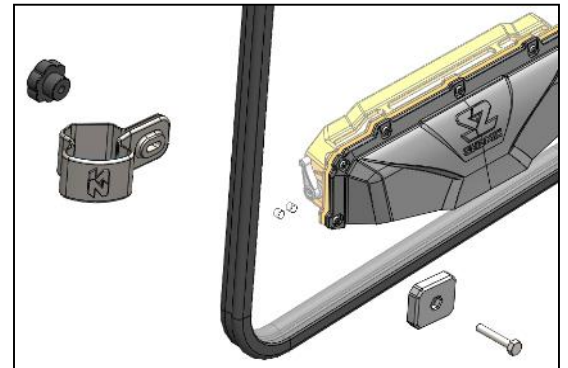
5. Place four clamps in the approximate locations shown.



6. Place the windshield on the vehicle and slide the clamps up and down to line up with the holes on the sides of the windshield.

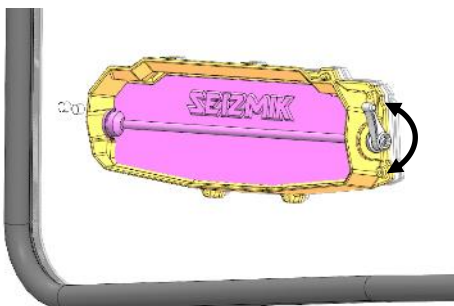


7. Line up holes in the backing plate with holes in the windshield and insert. The peg on the backing plate should go in the inside holes (not the holes near the edge of the windshield).

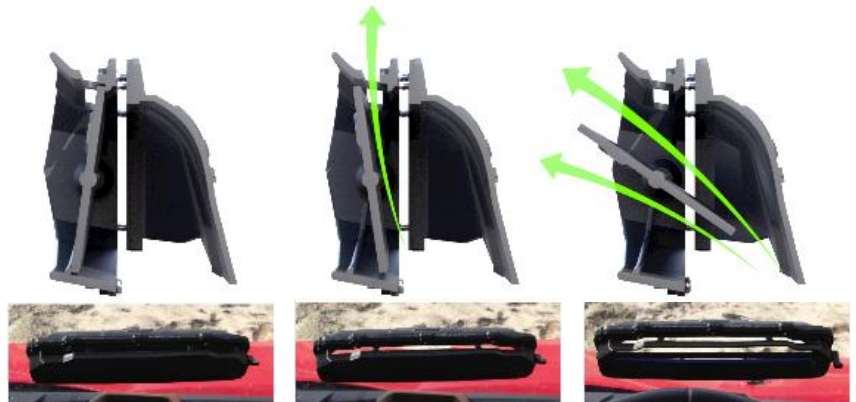


8. Attach the windshield to clamp with bolt and knob as shown above. Tighten knob to secure windshield.

VENT OPERATION:



Turn handle to adjust vent.



VENT CLOSED

VENT DEFOG OPEN

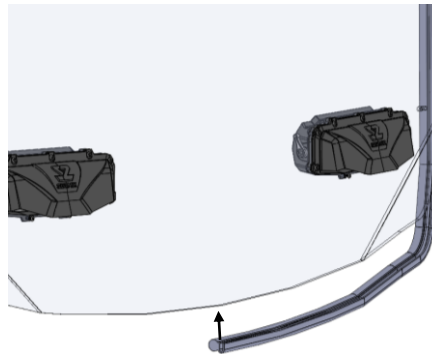
VENT FULL OPEN

The vent has 3 positions: Closed, Defog, and open.

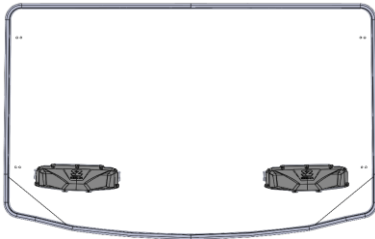
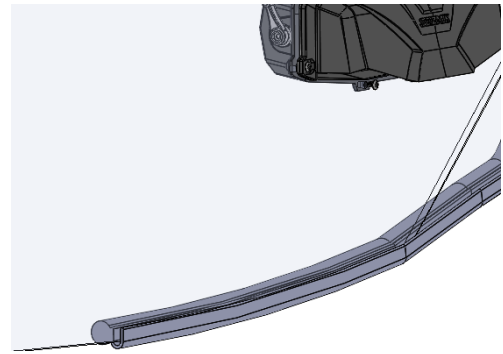
Installation:



1. Peel plastic 4" back on all sides of windshield. Remove completely after windshield is fully installed.



2. Push the gasket on the windshield starting from the middle of the bottom edge. The bulb should be on the inside of the windshield, the side of the windshield with the vent levers.



3. Your windshield should look like this when you are finished installing the gasket.



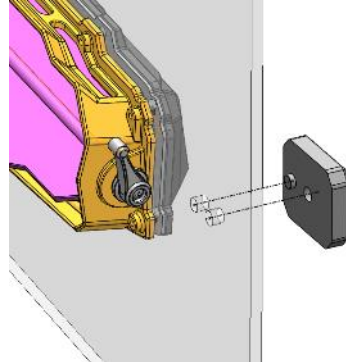
4. Open the clamp and place around roll cage with the SZ logo facing forward as shown.



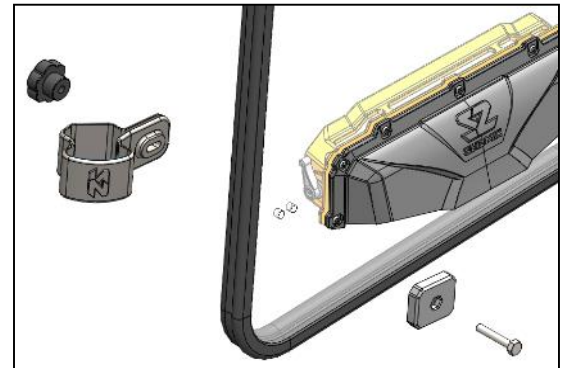
5. Place four clamps in the approximate locations shown.



6. Place the windshield on the vehicle and slide the clamps up and down to line up with the holes on the sides of the windshield.

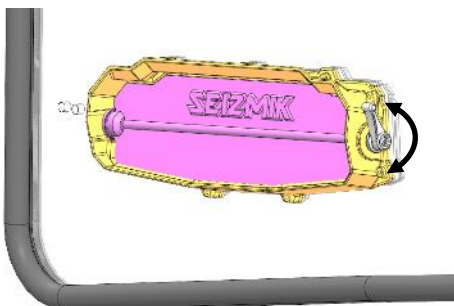


7. Line up holes in the backing plate with holes in the windshield and insert. The peg on the backing plate should go in the inside holes (not the holes near the edge of the windshield).

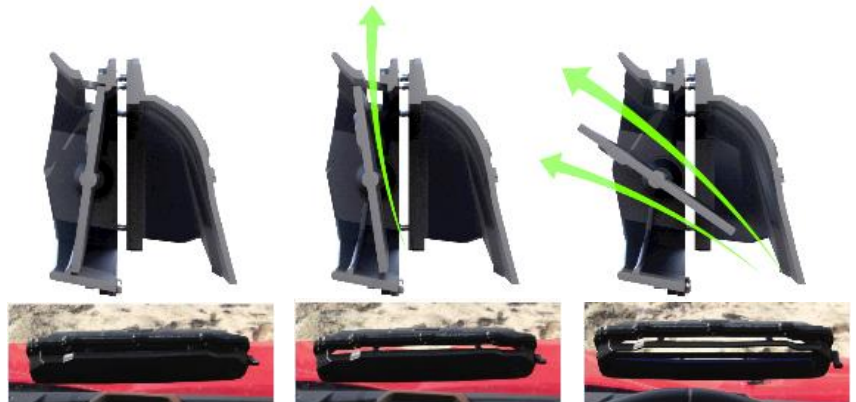


8. Attach the windshield to clamp with bolt and knob as shown above. Tighten knob to secure windshield.

VENT OPERATION:



Turn handle to adjust vent.



VENT CLOSED

VENT DEFOG OPEN

VENT FULL OPEN

The vent has 3 positions: Closed, Defog, and open.

APPENDIX

Polaris Ranger Full Size Profit Full Vented Windshield(25023/25024)		
Item #	Part#	Description
2	54 SW-90324	Double Sided Hardcoated Polycarbonate folding panel
2	54 SW-90325	Uncoated Polycarbonate folding panel
3	54 SW-90216	SZ Profit plastic Clamp
1	54 SW-90228	90° Bulb Gasket 154"
4	54 SW-90217	Knob
5	54 SW-90218	40 mm plastic backing plate bolt (#90080/misc) ?
6	54 SW-90219	Plastic backing plate
	54 SW-90156	Vent/scoop
	54 SW-90157	Louver Assembly
	54 SW-90158	Vent gasket
	54 SW-90159	6-20 x .75 screw

Polaris Ranger Mid Size Profit Full Vented Windshield(25025/25026)		
Item #	Part#	Description
2	54 SW-90326	Double Sided Hardcoated Polycarbonate panel
2	54 SW-90327	Uncoated Polycarbonate panel
3	54 SW-90216	SZ Profit plastic Clamp
1	54 SW-90236	90° Bulb Gasket 144"
4	54 SW-90217	Knob
5	54 SW-90218	40 mm plastic backing plate bolt (#90080/misc) ?
6	54 SW-90219	Plastic backing plate
	54 SW-90156	Vent/scoop
	54 SW-90157	Louver Assembly
	54 SW-90158	Vent gasket
	54 SW-90159	6-20 x .75 screw

