

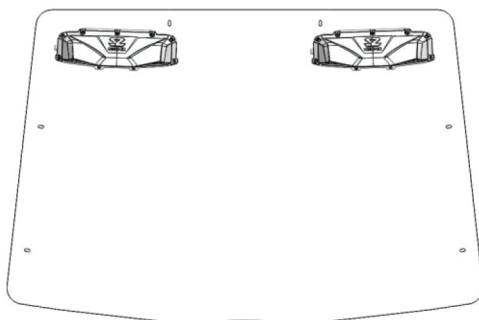
Installation & Operations Manual Kawasaki Teryx KRX1000 Vented Windshield



Kit Contents:

Qty

- | | |
|--------------------------|---|
| 1) Windshield Assembly | 1 |
| 2) 134" Gasket | 1 |
| 3) 1.75" Plastic P Clamp | 4 |
| 4) 1.5" Plastic P Clamp | 2 |
| 5) Finishing Block | 6 |
| 6) Bolt | 6 |
| 7) Flange Nut | 6 |



Installation Information:

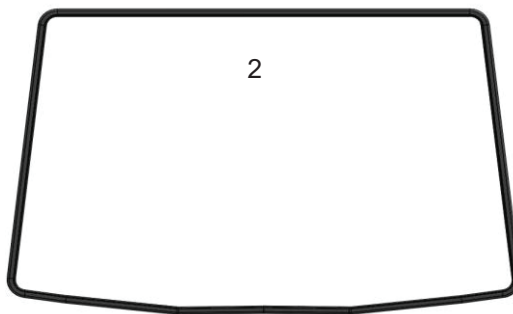
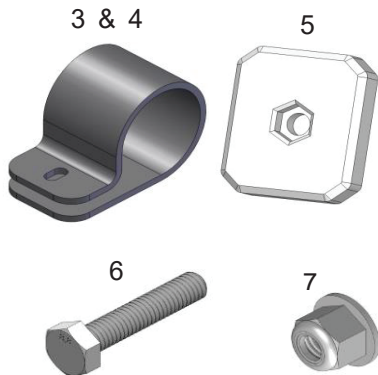
This product does not require any modifications to your vehicle. Please familiarize yourself with all the steps before beginning assembly.

Compatibility Info:

This windshield is designed to work with other Seizmik branded Accessories for the Kawasaki KRX1000 as well as OEM Kawasaki hard tops. Please note Seizmik cannot guarantee fitment with other branded aftermarket products. Please research installation details on our products and others when trying to combine different branded accessories.

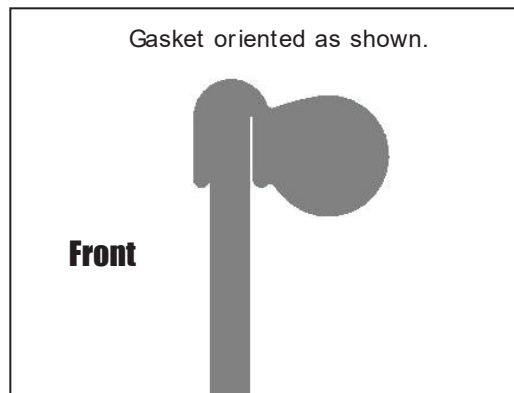
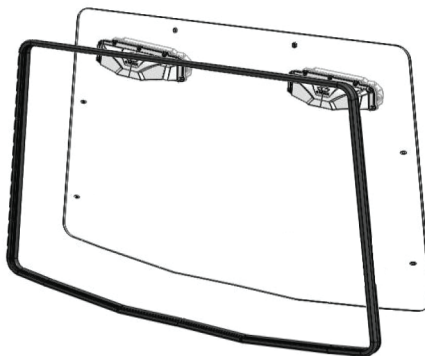
Seizmik makes Windshields, Mirrors, Door Kits, Light Bars, Hood Racks, and other great accessories for UTV's to maximize the vehicles usefulness. To help you do what you do better.

If you have any questions, comments, need assistance, or are missing parts, please visit our website [http:// seizmik.com/ customer-support](http://seizmik.com/customer-support) Or email us at service@seizmik.com. Visit www.seizmik.com for more information on our product or call 1-866-838-3366 between 9:00AM and 5:00PM EST.



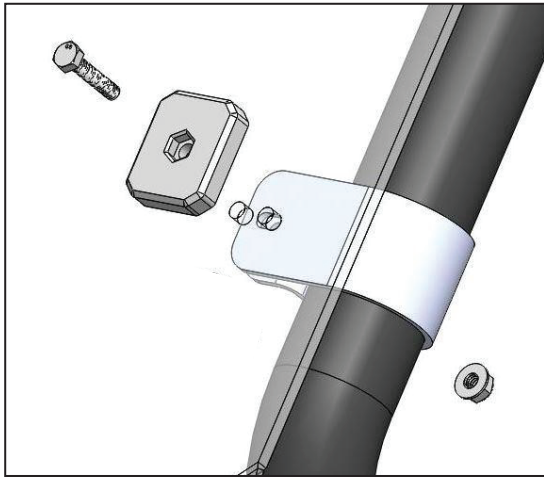
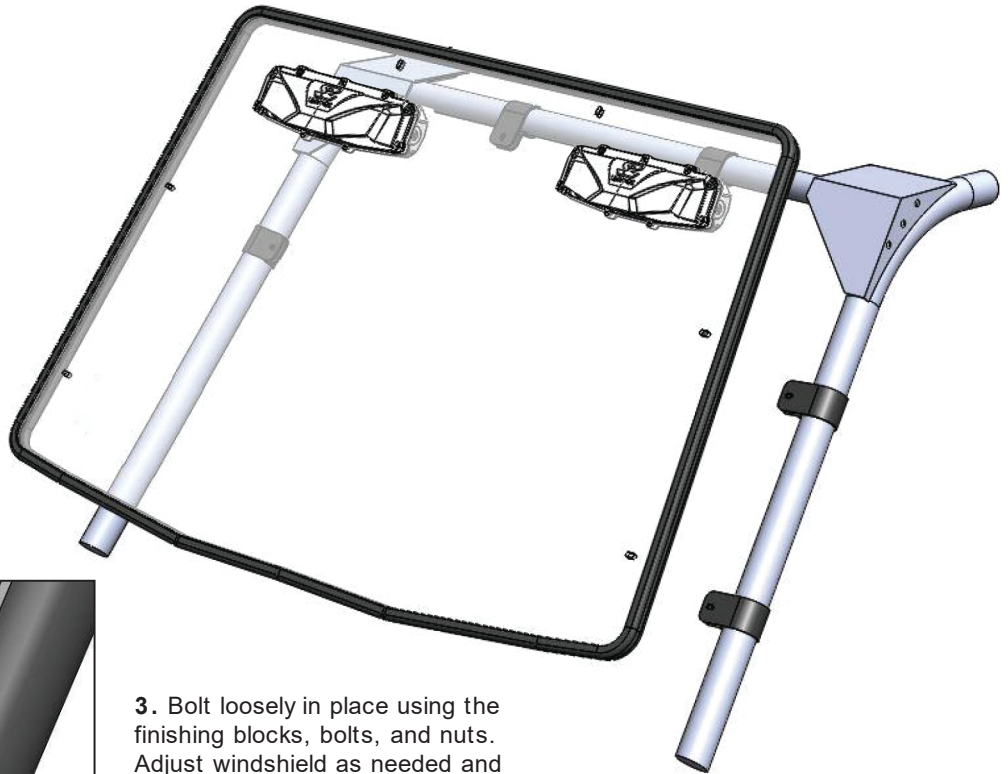
Windshield Installation:

1. Starting in the center bottom, press the gasket onto the windshield perimeter making sure the bulb of the gasket faces towards the rear or inside.



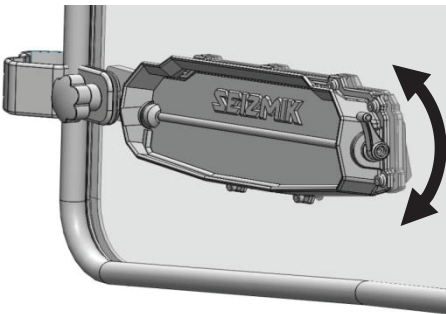
Windshield Installation:

2. In the approximate locations shown, Snap four 1.75" Plastic P Clamps on each side of the roll cage. The flanges will point forward and towards the center. Snap the two smaller 1.50" clamps on the upper cross tube with the flanges forward and down.



3. Bolt loosely in place using the finishing blocks, bolts, and nuts. Adjust windshield as needed and tighten bolts.

VENT OPERATION:



Turn handle to adjust vent. If the vent seems too tight or too loose, it can be adjusted by turning the T10 Torx screw in the handle.

SEIZMIK®

APPENDIX

Versa Vent Kawasaki KRX 1000 (26097)		
Item #	Part#	Description
1	54 SW-90684	Double sided hardcoated polycarbonate panel (26097)
2	54 SW-90685	134" 90° bulb Gasket
3	54 SW-90246	1.75" plastic P clamp
4	54 SW-90448	1.5" plastic P clamp
5	54 SW-90219	Finishing Block
6	54 SW-90678	M6 x 30 Plastic backing plate bolt
7	54 SW-90679	M6 Nyloc Flange nut
	54 SW-90156	Vent/scoop
	54 SW-90157	Louver Assembly
	54 SW-90158	Vent gasket
	54 SW-90159	6-20 x .75 screw

