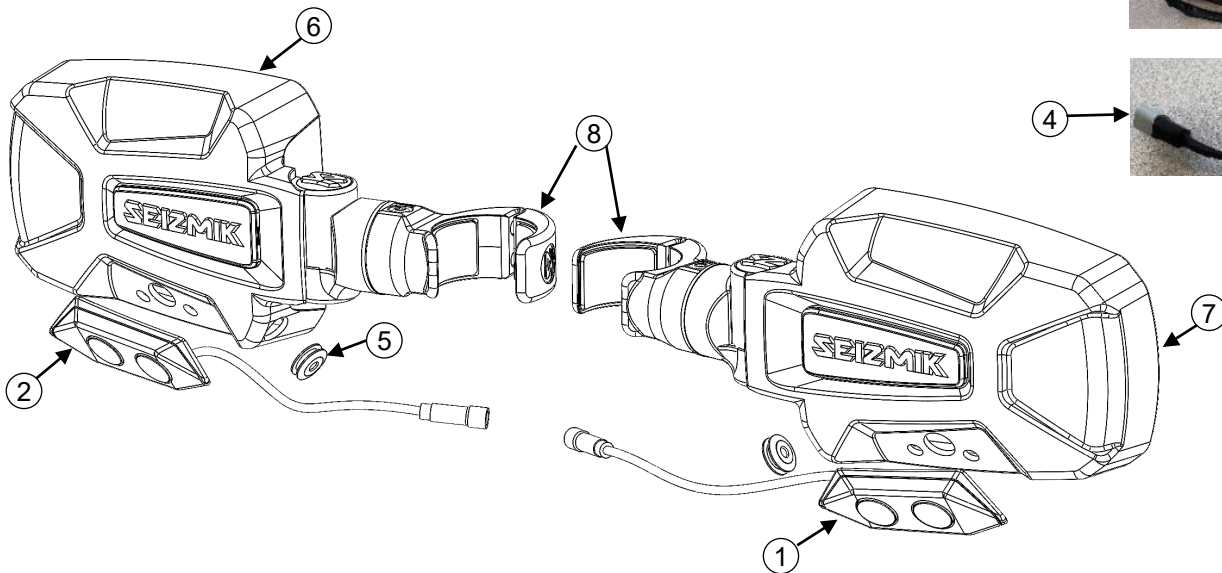


Before You Start: Please familiarize yourself with all the steps before beginning assembly.

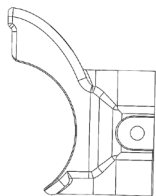
Compatibility Info: This Mirror Kit is designed to work with other Seizmik branded accessories. Please note Seizmik cannot guarantee fitment with other branded aftermarket products. Please research installation details thoroughly on our products & others when trying to combine different branded accessories. Seizmik makes Windshields, Mirrors, Cab Systems, Light Bars, Hood Racks, Gun Cases, and other great accessories for UTV's to maximize the vehicles usefulness.

Lighted Mirror Component List

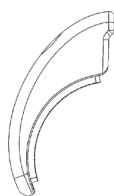


- | | |
|--|---|
| 1. Driver Side Mirror Light - Part #: 54-SW-90640 | 5. Grommet - Part #: 54-SW-90644 |
| 2. Passenger Side Mirror Light - Part #: 54-SW-90641 | 6. Pursuit Mirror Housing Passenger - Part #: 54-SW-90646 |
| 3. Pursuit light Main Harness - Part #: 54-SW-90642 | 7. Pursuit Mirror Housing Driver - Part #: 54-SW-90645 |
| 4. Splitter Harness - Part #: 54-SW-90643 | 8. Clamp (see component list) |

Clamp Components List



54-96327-
Clamp Base (2)



54-96328-
Clamp End (2)



54-96331-
Rubber Pad (2)



54-90040-
M6 Lock Nut (4)



M10x30mm Socket
Head Screw (2)



M6x25mm Socket
Head Screw (4)



54-SW-90176 M6x10mm
Button Head Screw (4)

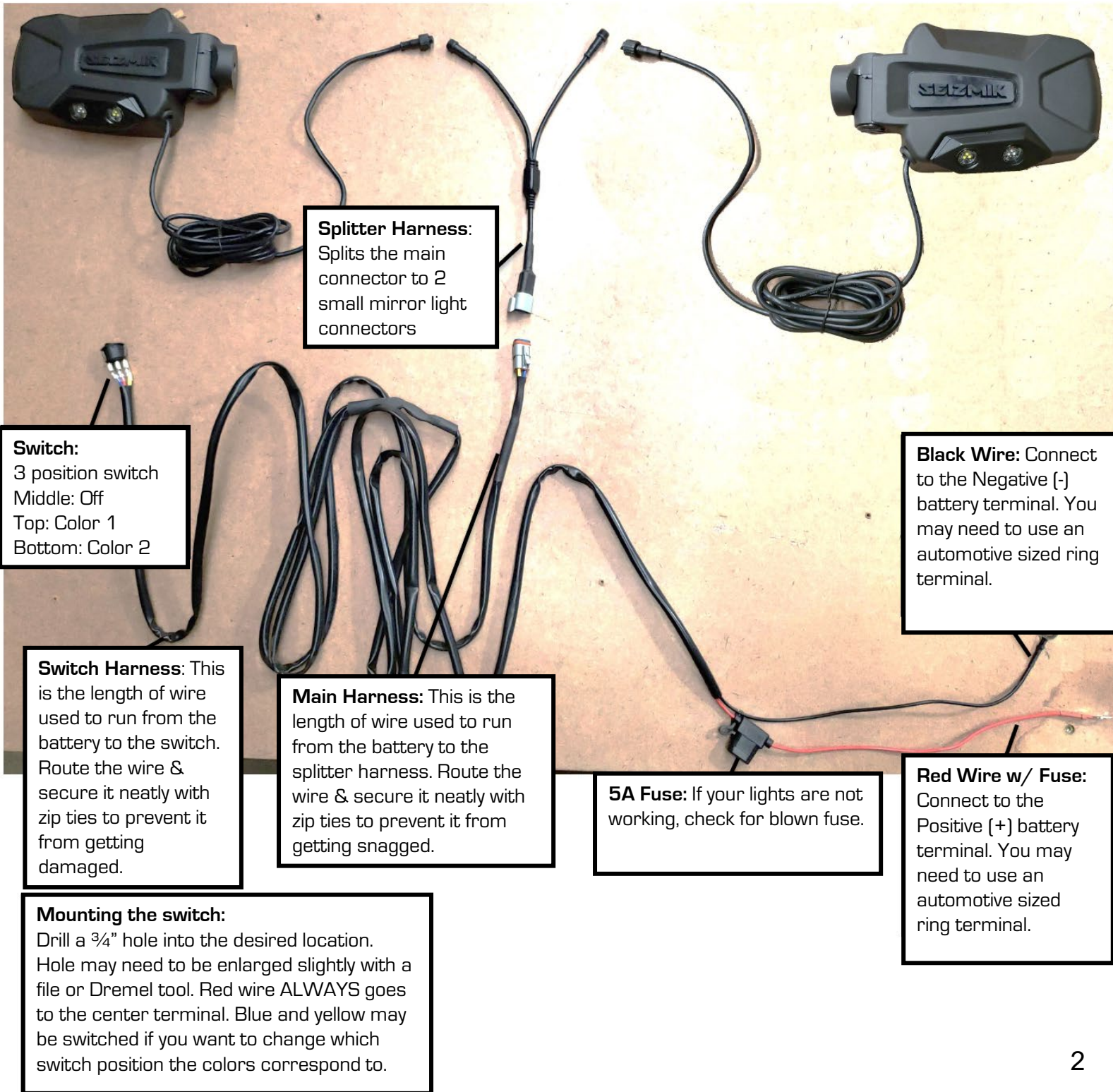


54-SW-90122-
Rubber Washer (2)

Wiring the Lights

The biggest differences between vehicles is usually where the battery is located. Some vehicle batteries are located under the hood, under the seat, or under the cargo bed. The best way to approach installation is to:

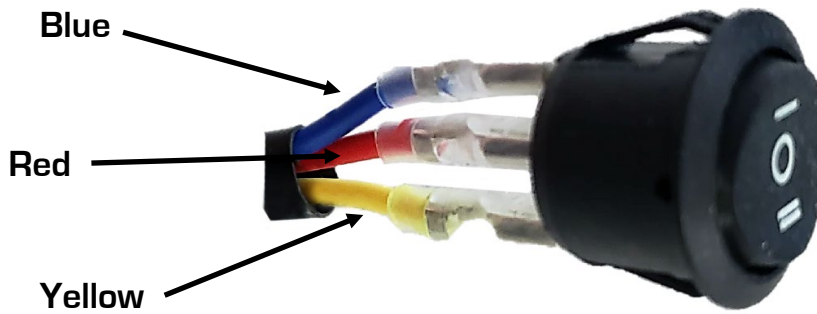
1. Mount the mirrors (page 4)
2. Locate the battery
3. Run the wires from the Mirror lights to the splitter harness
4. Decide where the switch will be mounted
5. Run the Main Harness wire terminals to battery.
6. Run the Main Harness connector to the splitter harness.
7. Install the switch.
8. Secure the excess wiring to the vehicle with zip ties.



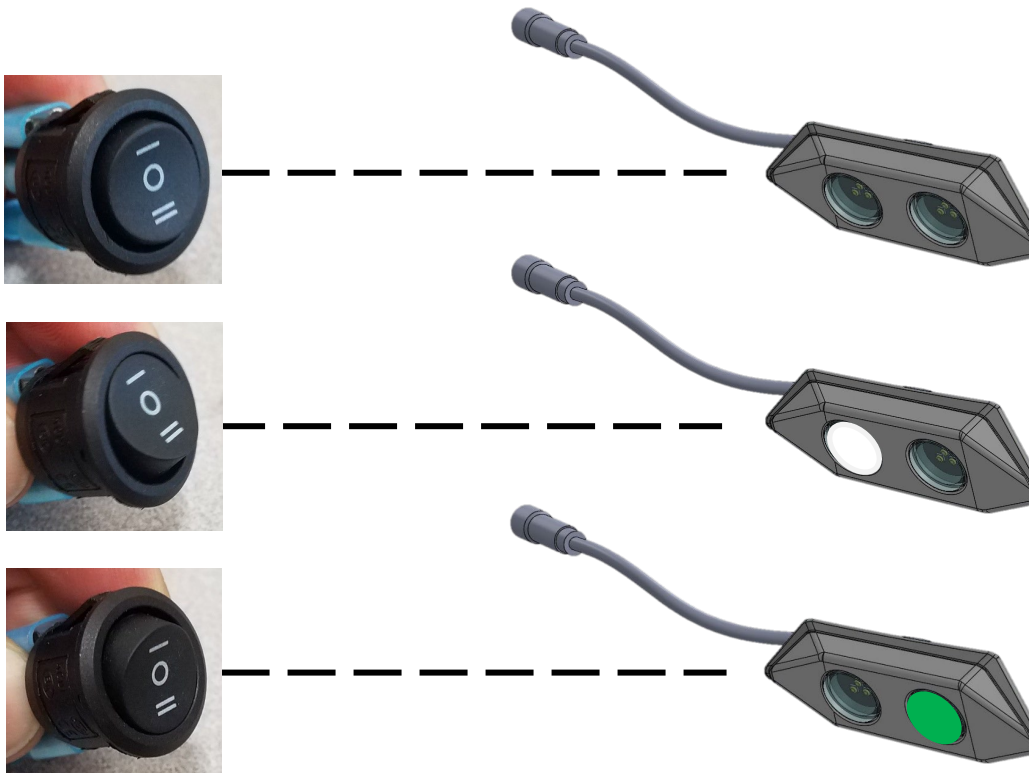
2 Color Light Function

Switch Wiring:

The red wire ALWAYS goes to the center terminal. Blue and yellow may be swapped if you want to change which switch position the colors correspond to. Out of the box the single dash (-) switch position should correspond to the white light. The double dash (=) switch position should correspond to the green light as shown in the image below.

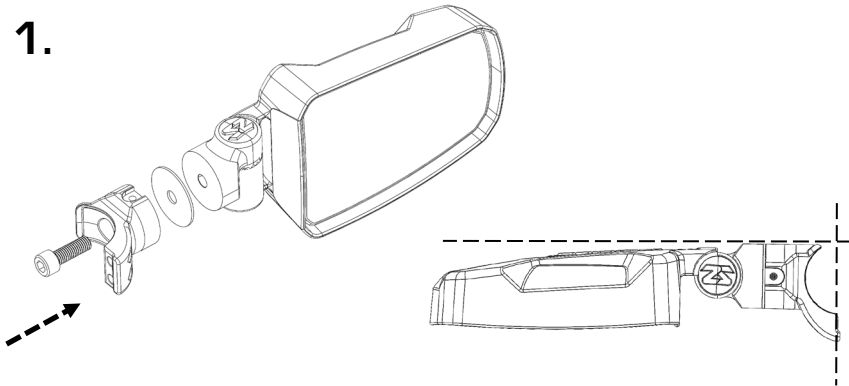


Out of the box wiring function:



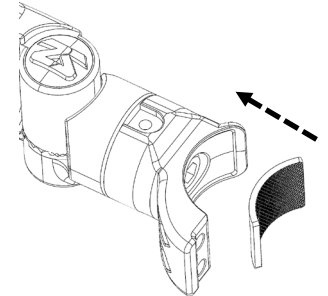
Installation & Operations Manual for Pursuit Night Vision Side View Mirror

1.



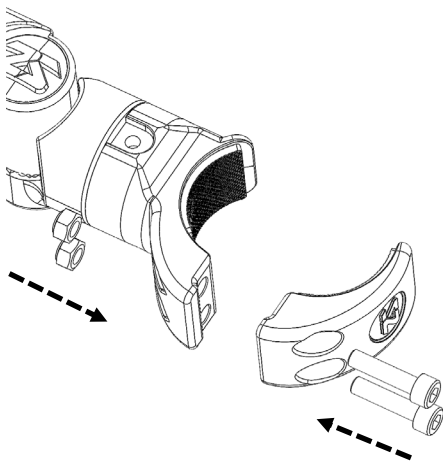
Assemble the Clamp Base to one of the Mirrors by inserting the M10x30mm Socket Head Cap Screw through the middle of the Clamp Base. Add the Rubber Washer over the Screw so it will be in-between the Mirror and the Clamp Base. Tighten the screw hand tight with the Clamp Base being perpendicular to the mirror.

2.



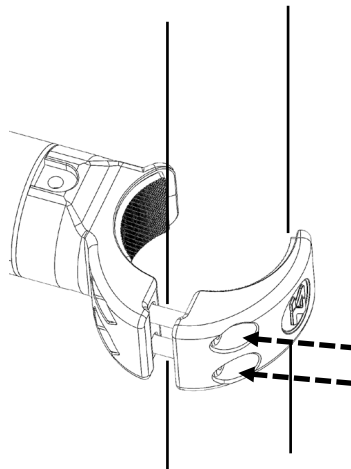
After the M10x30mm Socket Head Cap Screw is tight, peel the adhesive off the Rubber Pad and apply to the recessed area on the Clamp Base. Apply with even pressure for 30 seconds.

3.



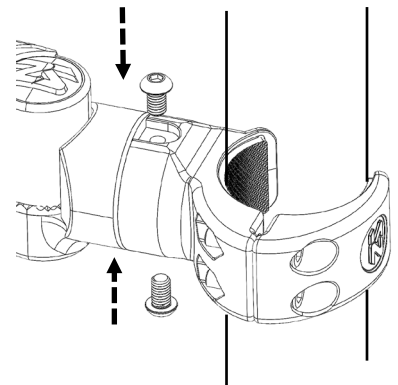
Now, insert the M6 Lock Nuts into the slots on the Clamp Base and install the M6x25mm Socket Head Cap Screw through the Clamp End. Tighten the screws so they engage with the nuts, but the clamp is still loose.

4.



Slide the clamp around the A-pillar in the location that works best for you. Hold the mirror and tighten the two M6x25mm Socket Head Cap Screws until it's tight and secured to the A-pillar.

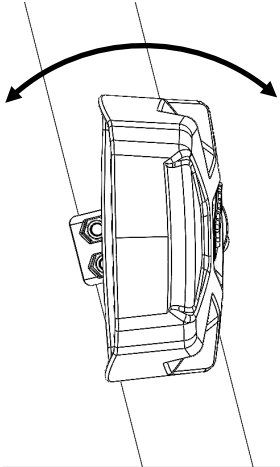
5.



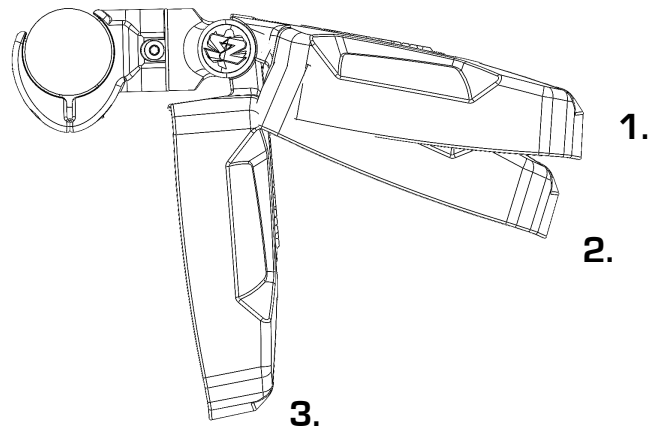
Screw the M6x10mm Button Head Screws into the top and bottom of the Clamp Base. Due to different mirror constructions these screws may or may not bottom out on a post. It's recommended to put a dab of blue thread locker (not provided).

SEIZMIK®

Repair and Maintenance



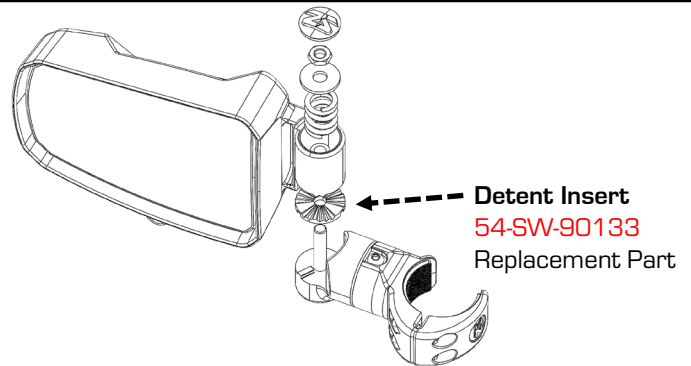
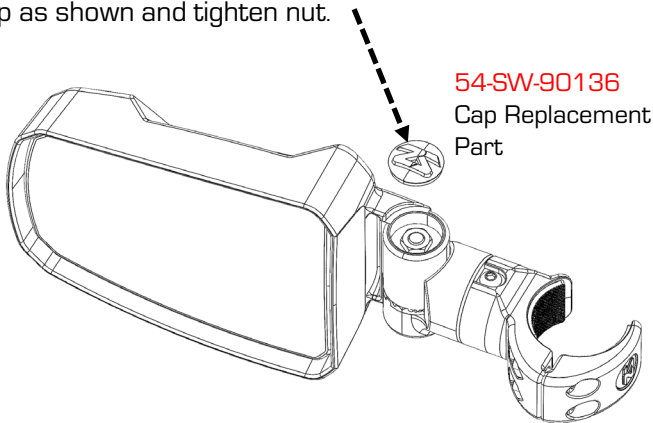
You can rotate mirror on clamp so that it is level, and you are satisfied with the location and angle



The Mirror Housing has 3 detent positions. Position 1 is for the driver's side, position 2 is passenger side, and position 3 is completely folded. Once the detent position is selected you can fine tune the viewing angle by moving the mirror glass within the housing.

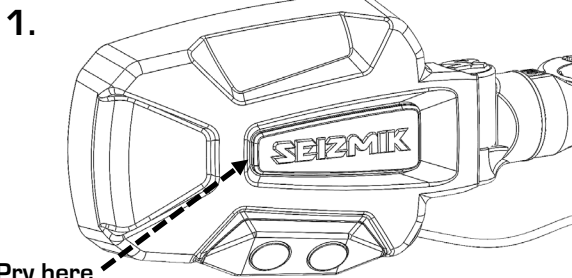
Tightening Mirror Housing Folding Feature

To tighten the folding feature of the mirror, gently pry off the SZ cap as shown and tighten nut.



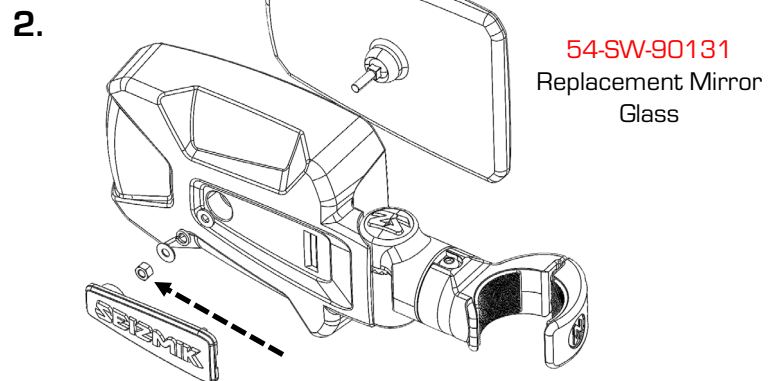
If for any reason the Mirror Detent Insert ever becomes worn enough that the mirror will not hold position well, please contact us for free replacements. It can be replaced by first removing the nut shown in the previous step. Next, remove the Mirror Housing, Spring, and Washer. The Detent Insert can now be gently pried off and replaced. The detent is designed so it can only go on one way.

Replacing or Adjusting Mirror Glass



54-SW-90137 - Seizmik Badge Driver Side
54-SW-90138 - Seizmik Badge Passenger Side

To replace or adjust Mirror Glass pivot, gently pry off SEIZMIK cap from the location shown.



Tighten or loosen 8mm nut a little at a time to adjust the mirror glass ball joint tension; or remove it and washers to replace Mirror Glass.

Seizmik makes Windshields, Doors, Tops, Hood Racks, and other great accessories for utility vehicles & side x sides. Our products are engineered tough for long life and tested under the harshest of conditions.

✉ service@seizmik.com

☎ 1-866-838-3366
 between 9:00 AM and 5:00 PM EST.



www.seizmik.com/customer-support 5