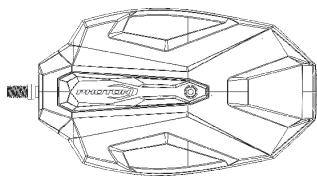
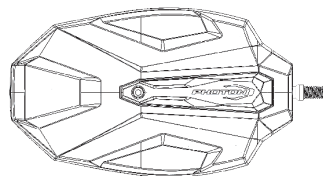


PHOTON MIRROR - 56-18112
INSTALLATION MANUAL

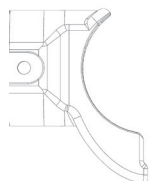
PARTS LIST



Driver Side Mirror



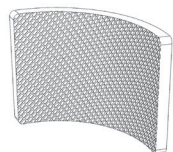
Passenger Side Mirror



54-96327-
Clamp Base (2)



54-96328 -
Clamp End (2)



54-96331 -
Rubber Pad (2)



54-96329 -
Adapter (2)



54-90040 -
M6 Lock
Nut (4)



M10x16mm
Socket Head
Screw (2)



M6x25mm Socket
Head Cap Screw (4)



54-SW-90176
M6x10mm Button
Head Screw (4)



54-SW-90929
Replacement
Mirror Glass

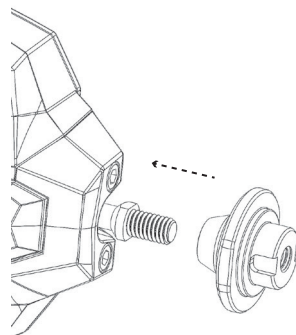
service@seizmik.com

1-866-838-3366
between 9:00 AM and 5:00 PM EST.

www.seizmik.com/customer-support

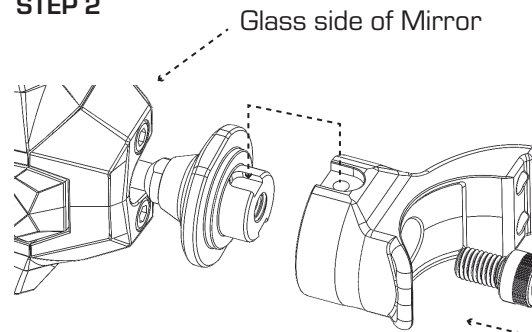


STEP 1



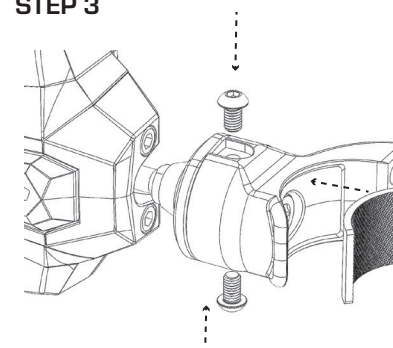
Thread the Adapter onto the ball joint that is sticking out of the Mirror until tight.

STEP 2



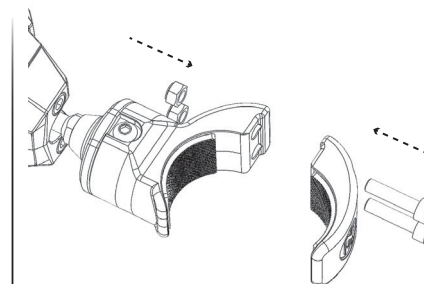
Slide the Clamp Base over the Adapter so the holes in the Clamp Base align with the slots on the Adapter. Insert the M10x16mm Socket Head Cap Screw and tighten the screw to the Adapter.

STEP 3



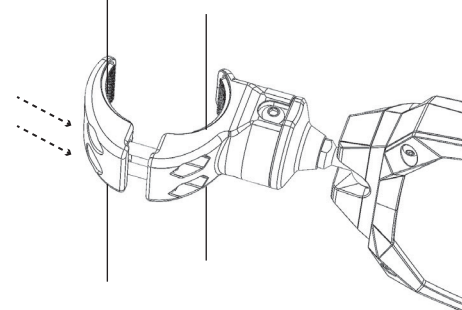
After M10x16mm Socket Head Cap Screw is tight, peel the adhesive off the Rubber Pad and apply to the recessed area on the Clamp Base. Apply with even pressure for 30 seconds. Screw in both M6x10 Button Head Screws as shown.

STEP 4



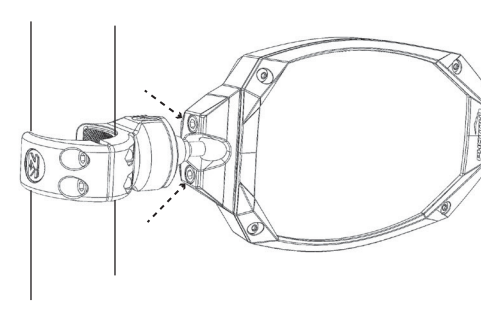
Now, insert the M6 Lock Nuts into the slots on the Clamp Base and install the M6x25mm Socket Head Cap Screws through the Clamp End. Tighten the screws so they engage with the nuts but the clamp is still loose.

STEP 5



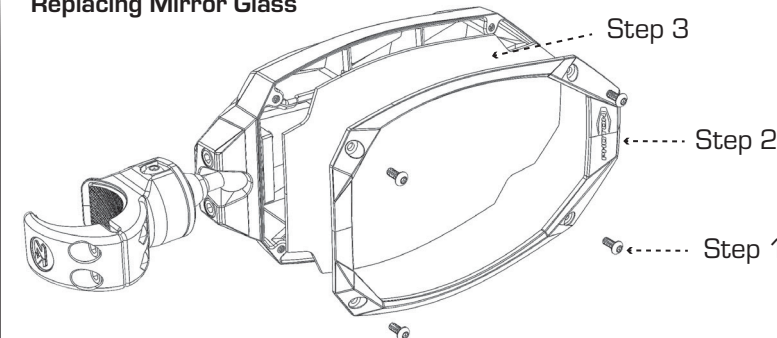
Slide the clamp around the A-pillar in the location that works best for you. Hold the mirror and tighten the two M6x25mm Socket Head Cap Screws until it's tight and secured to the A-pillar.

STEP 6



Rotate mirror on the clamp so that it is level and provides desired viewing angle. If additional adjustment is needed loosen both screws to adjust and tighten back up when happy.

Replacing Mirror Glass



Step 1: Remove the 4 screws on the trim kit using a T15 bit.
Step 2: Remove the trim.
Step 3: Carefully remove the mirror and replace with new mirror.
Step 4: Reinstall the trim and screws.