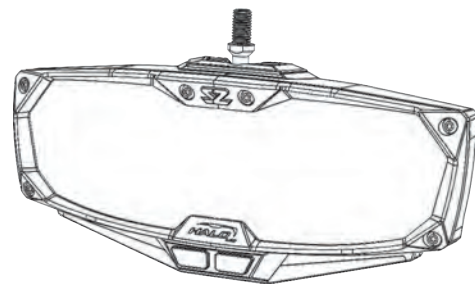


# 18001 INSTALLATION MANUAL

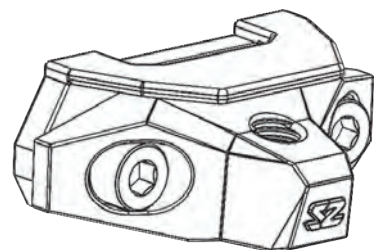
## PARTS LIST

- A - Mirror Assembly
- B - RZR PRO XP Clamp

A - Mirror Assembly

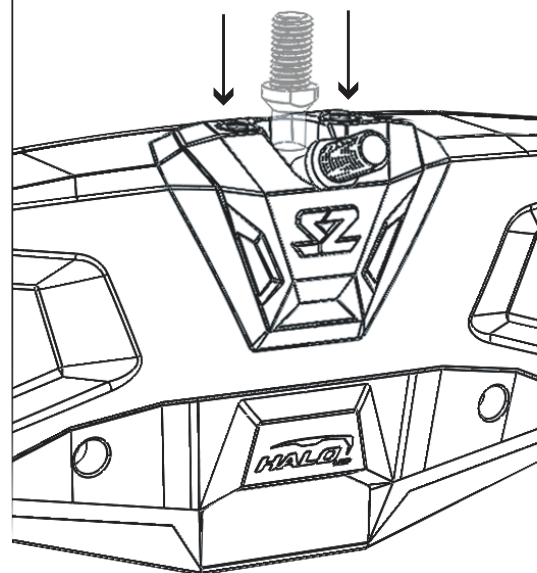


B - RZR PRO XP Clamp



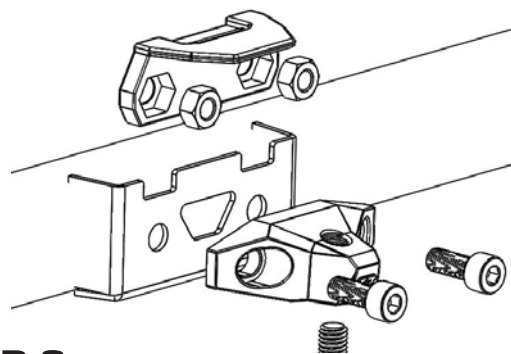
## STEP 1

Use these bolts to adjust tension on the ball joint. Clockwise turn will increase tension, counter-clockwise will decrease tension.



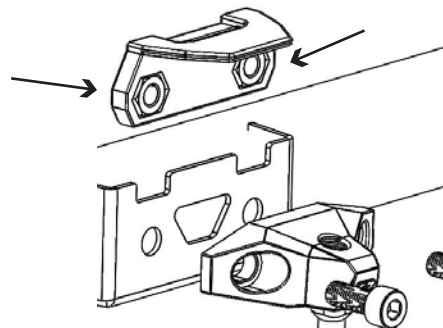
## STEP 2

Locate mirror mounting plate on ROPS.



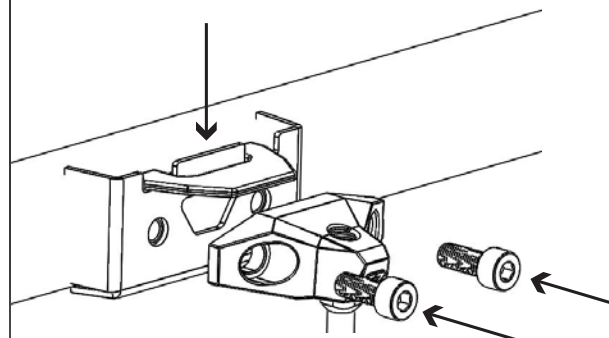
## STEP 3

Insert M8 nuts into the backing plate.



## STEP 4

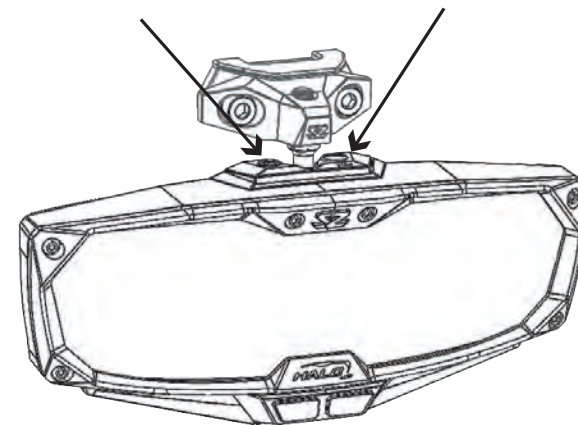
Place the backing plate between the ROPS and the mounting plate as shown. Install M8 socket head bolts and torque to 10ft-lbs



## STEP 5

Tighten mirror mounting bolt and adjust mirror tension using the 2 M6 bolts located on top of the rear aluminum badge.

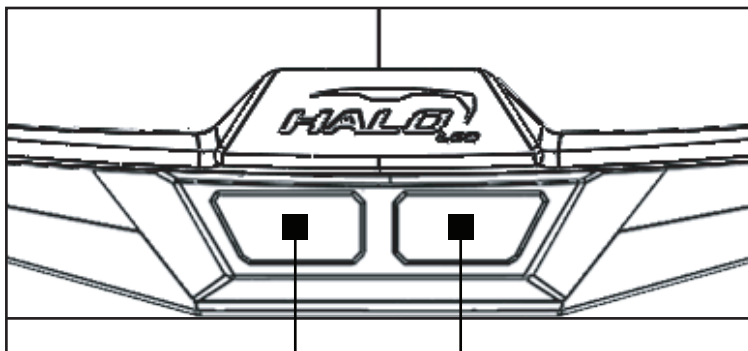
Mirror tensioning bolts



## 18001 LIGHT OPERATION GUIDE

### OVERVIEW

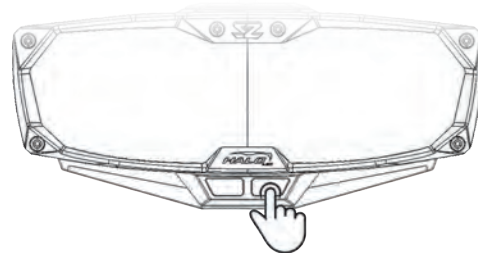
Halo LED Rearview mirror has 2 sets of lights.



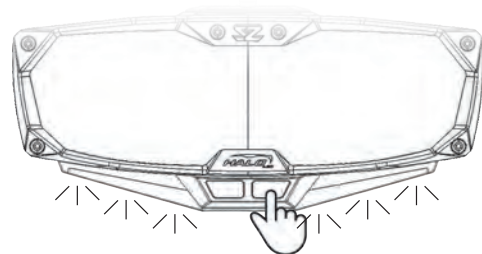
The left button controls the center COB white light that provides a hi/low setting

The right button controls the RGB lights. Users can set which color the right button controls Red, Green, or Blue. Follow next procedure to set the color.

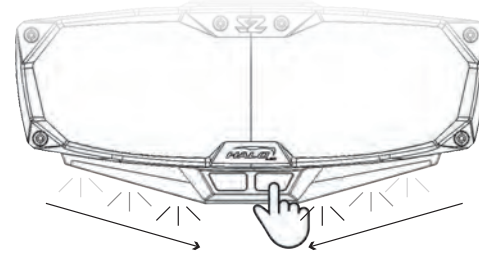
1. Press and hold for 3 seconds to enter programming mode.  
- do not release the button.



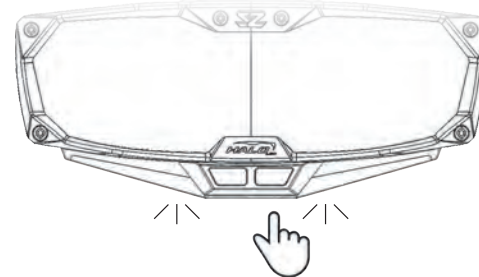
2. All RGB lights will flash twice to indicate user is in program mode  
- continue to hold the button down.



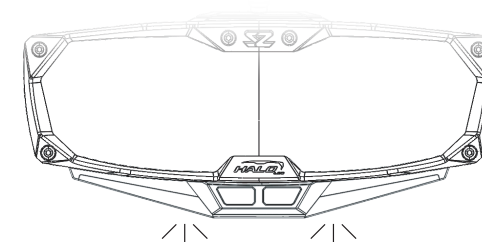
3. Then each color light will start cycling - continue to hold the button down.



4. When the color light you want to select lights up - release the right button



5. Once button is released, the selected color will flash twice to indicate that color has been set.



6. From this point on, when you press the right button the color you chose will be what comes on

7. To control intensity simply press the button once and the light will come on low, press the button again and the light come on high, press again and it will shut off

8. To change which color you want to set, simply repeat the programming procedure



Scan the code above for operation guide video